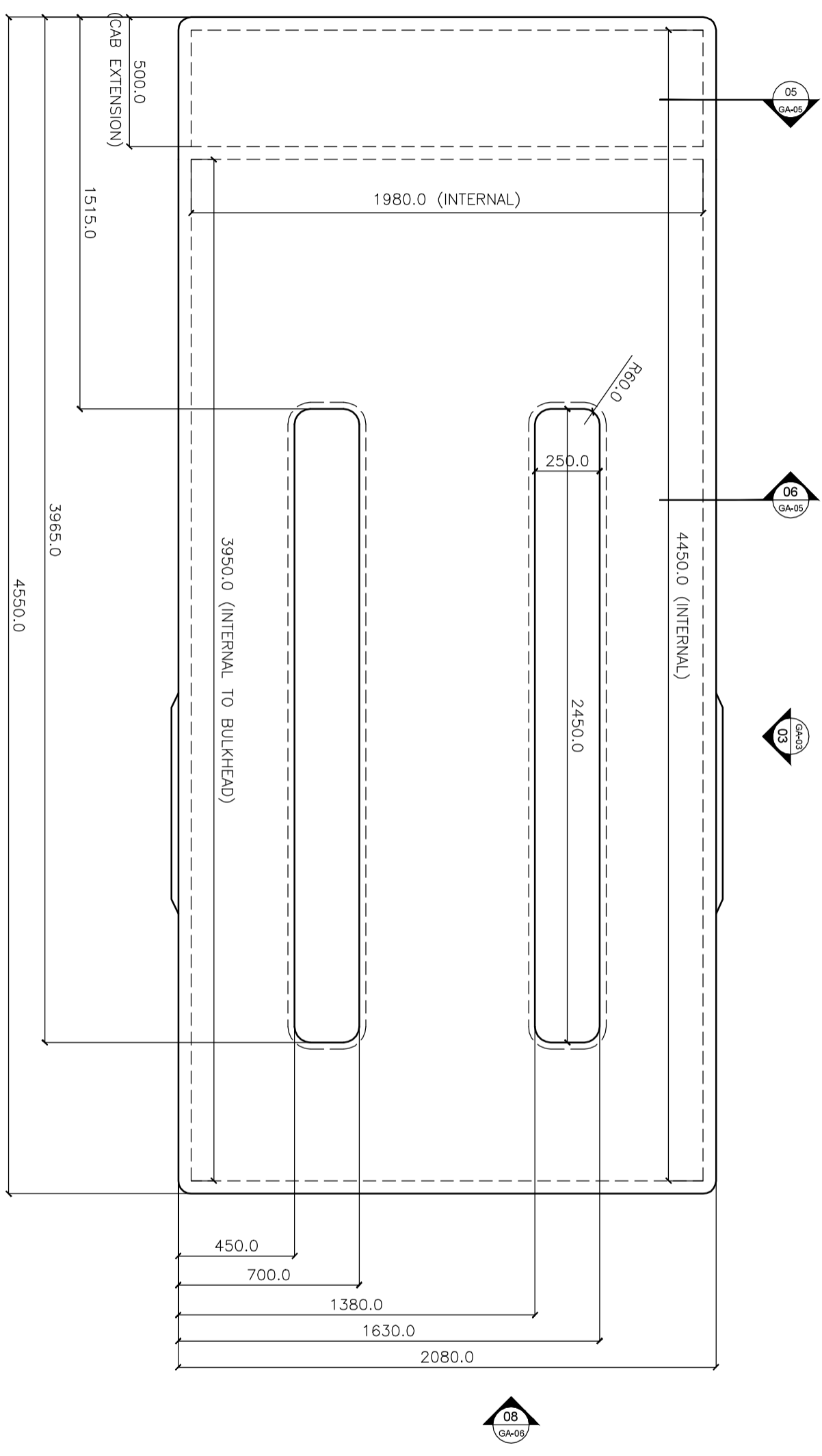


GENERAL NOTES

ALL MEASUREMENTS IN MM
EXTERNAL MEASUREMENTS
ASSUME A 50MM WALL
THICKNESS



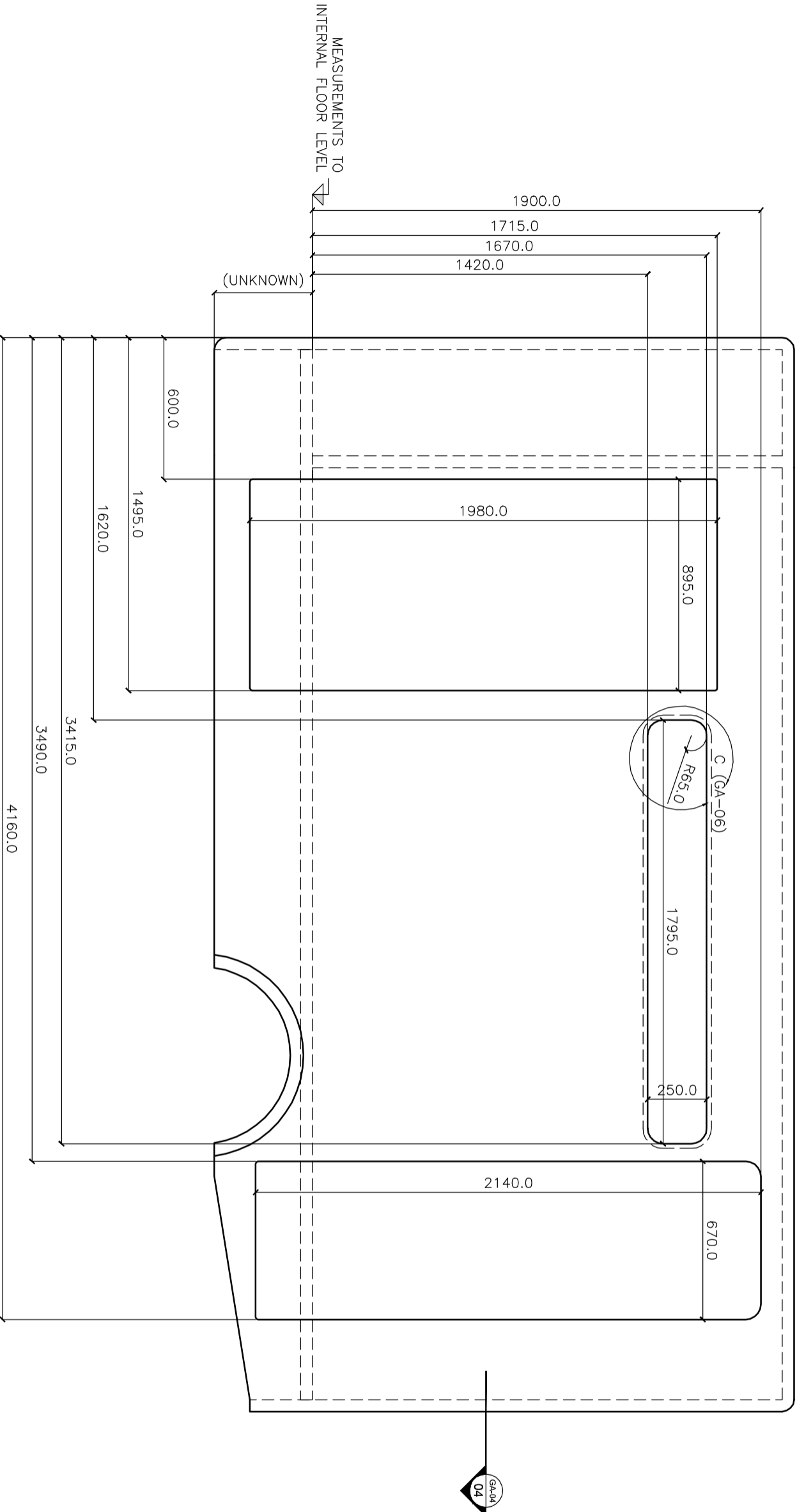
TOP VIEW EXTERIOR
AMBULANCE BOX

01
GA-01
SCALE 1:20

Project		Sheet	
HELEN HAMLIN CENTRE ROYAL COLLEGE OF ART Kensington Core SW7 2EU London, UK		GA-01 (1/6)	
Date		Date	
31.01.2011		31.01.2011	
Scale		Scale	
INDICATED		INDICATED	
Firm Name and Address			
Revision/Issue			
No.		Date	

GENERAL NOTES

ALL MEASUREMENTS IN MM
EXTERNAL MEASUREMENTS
ASSUME A 50MM WALL
THICKNESS



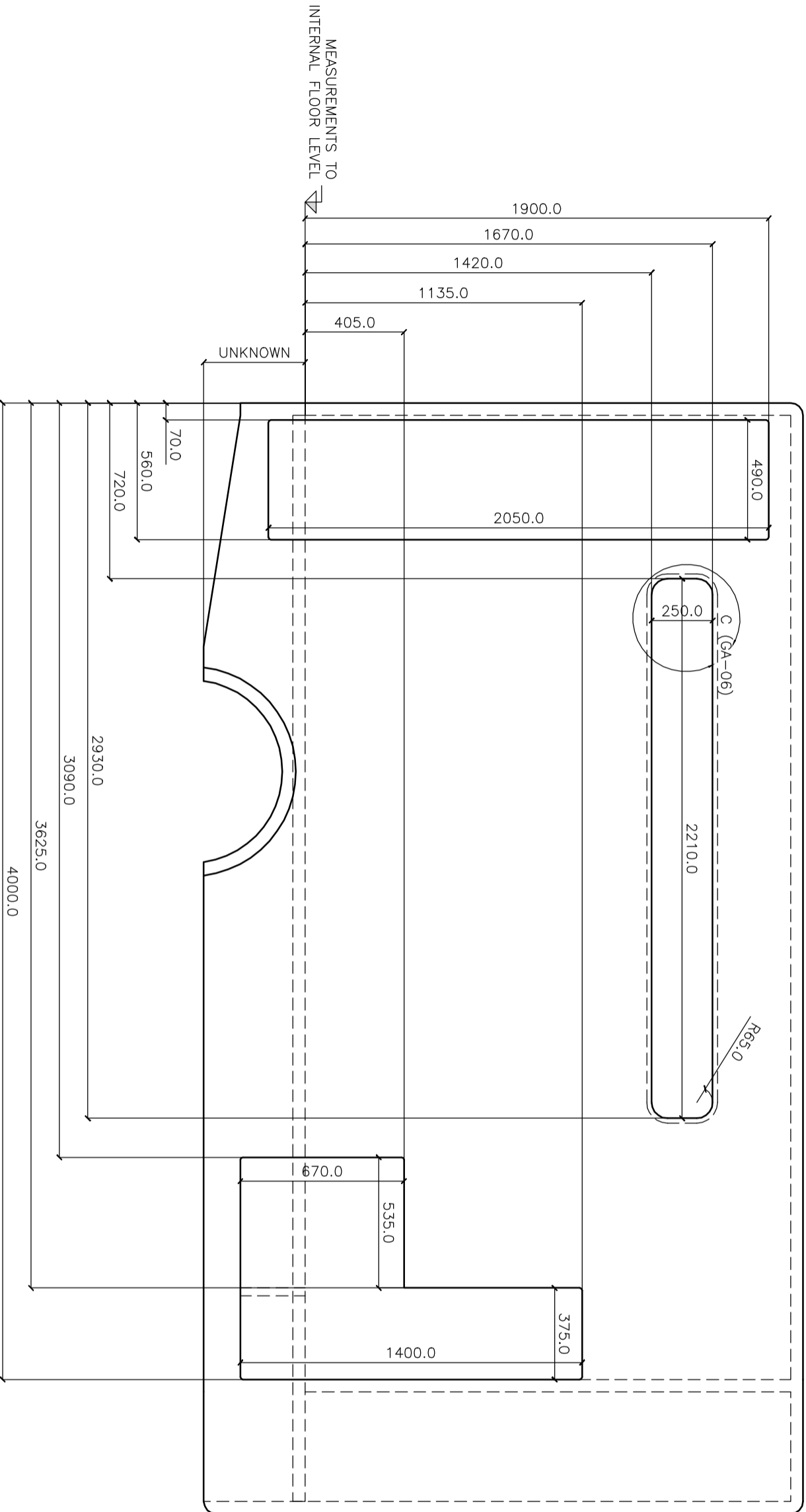
NEARSIDE WALL EXTERIOR
AMBULANCE BOX

GA-02
SCALE 1:20

Project		Sheet	
Date	31.01.2011	GA-02	(2/6)
Scale	INDICATED		
<p>Redesigning The Ambulance HELEN HAMLIN CENTRE ROYAL COLLEGE OF ART Kenington Gore SW7 2EU London, UK</p>			
Firm Name and Address			
No.	Revision/Issue	Date	

GENERAL NOTES

ALL MEASUREMENTS IN MM
EXTERNAL MEASUREMENTS
ASSUME A 50MM WALL
THICKNESS



OFFSIDE WALL EXTERIOR
AMBULANCE BOX

03
GA-03

SCALE 1:20

GENERAL NOTES

ALL MEASUREMENTS IN MM
EXTERNAL MEASUREMENTS
ASSUME A 50MM WALL
THICKNESS

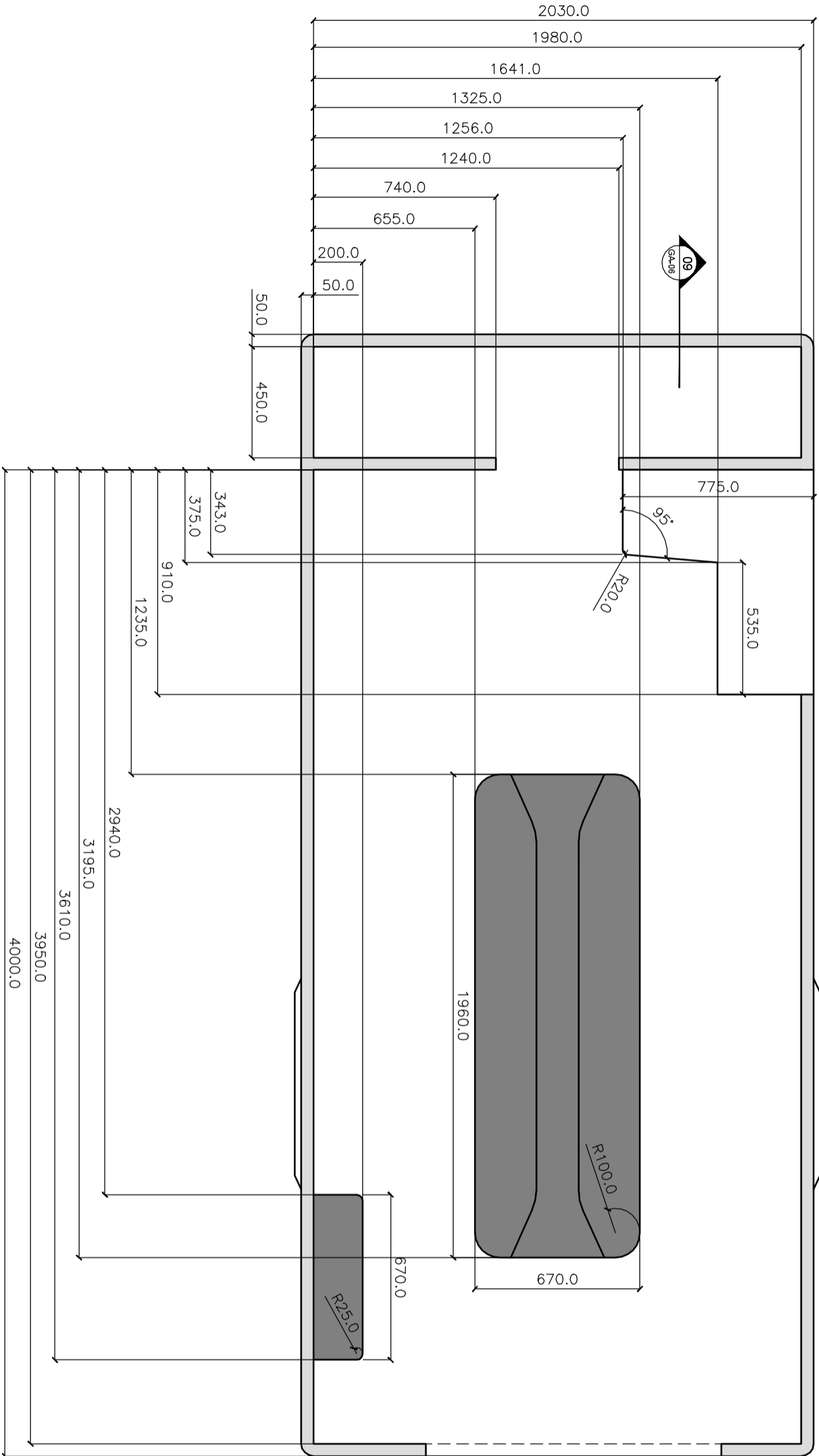
Firm Name and Address			
No.	Revision/Issue	Date	

Redesigning The Ambulance
HELEN HAMLIN CENTRE
ROYAL COLLEGE OF ART
Kensington Gore
SW7 2EU
London, UK

Project	Sheet
Date	GA-03
31.01.2011	(3/6)
Scale	INDICATED

GENERAL NOTES

ALL MEASUREMENTS IN MM
EXTERNAL MEASUREMENTS
ASSUME A 50MM WALL
THICKNESS



04 FLOOR
GA-04 AMBULANCE BOX
SCALE 1 : 20

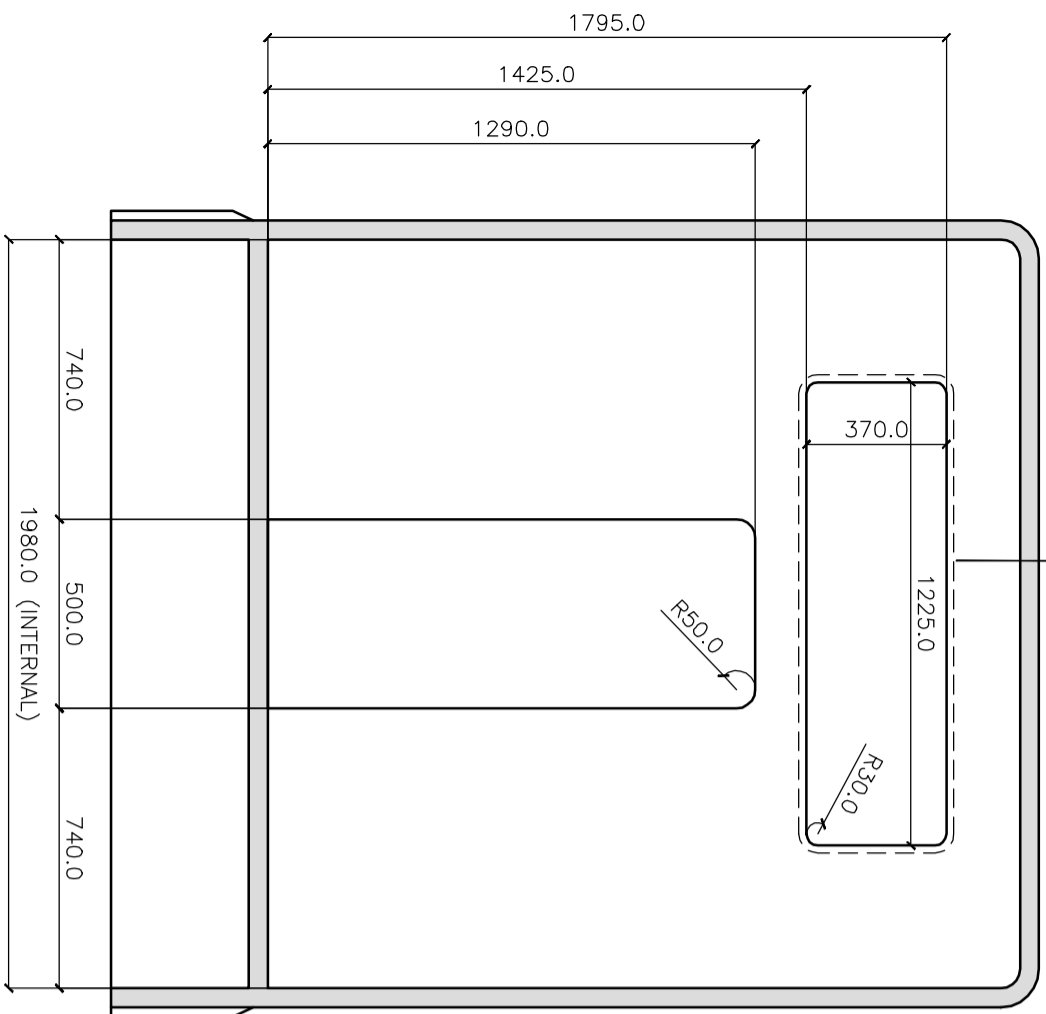
No.	Revision/Issue	Date

Firm Name and Address

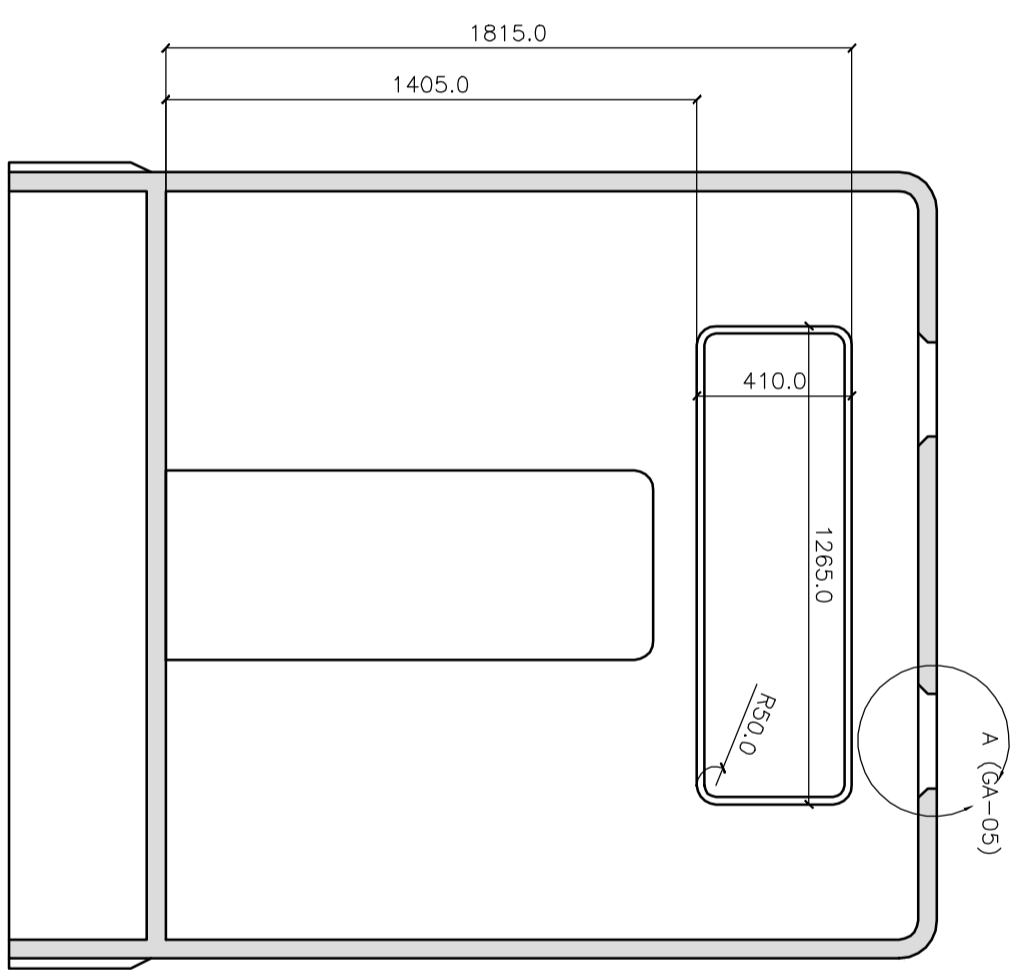
Redesigning The Ambulance
HELEN HAMLIN CENTRE
ROYAL COLLEGE OF ART
Kensington Gore
SW7 2EU
London, UK

Project	Sheet
GA-04	GA-04
Date	(4/6)
Scale	INDICATED

07
GA-05



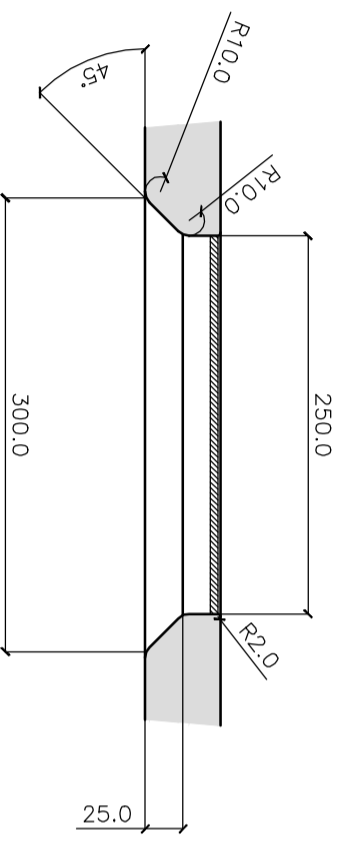
05
GA-05
SCALE 1:20
BULKHEAD VIEW FROM CAB EXTENSION
AMBULANCE BOX



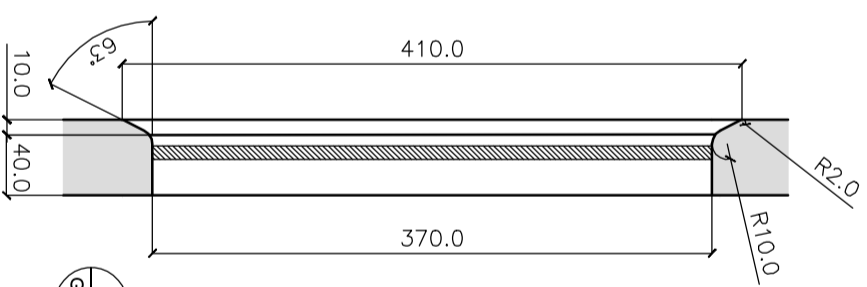
06
GA-05
SCALE 1:20
BULKHEAD VIEW FROM TREATMENT SPACE
AMBULANCE BOX



07
GA-05
SCALE 1:20
BULKHEAD SECTION
AMBULANCE BOX



A
GA-05
SCALE 1:5
SKYLIGHT DETAIL
AMBULANCE BOX



B
GA-05
SCALE 1:5
OVERHEAD STORAGE DETAIL
AMBULANCE BOX

GENERAL NOTES

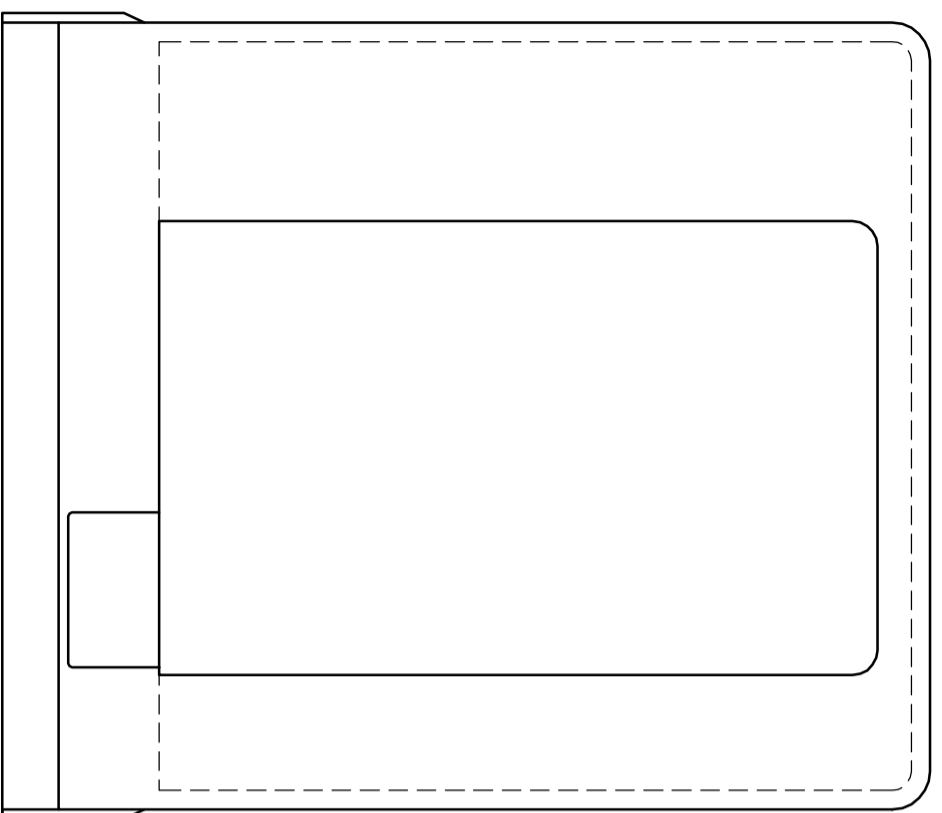
ALL MEASUREMENTS IN MM
EXTERNAL MEASUREMENTS
ASSUME A 50MM WALL
THICKNESS

No.	Revision/Issue	Date

Firm Name and Address

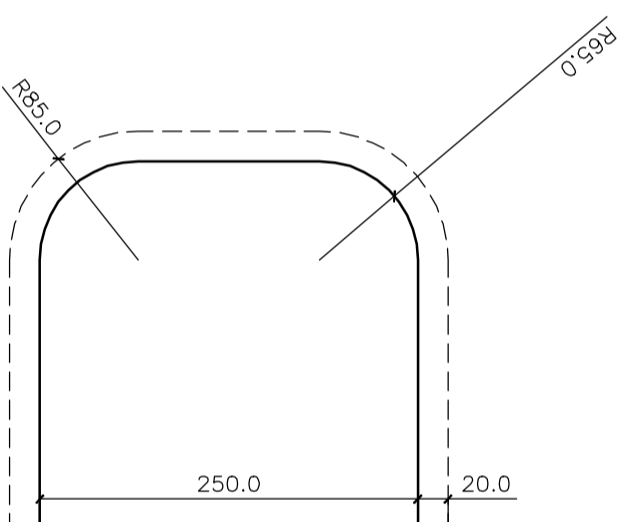
Redesigning The Ambulance
HELEN HAMLYN CENTRE
ROYAL COLLEGE OF ART
Kensington Gore
SW7 2EU
London, UK

Project	Sheet
31.01.2011	GA-05
Scale INDICATED	(5/6)

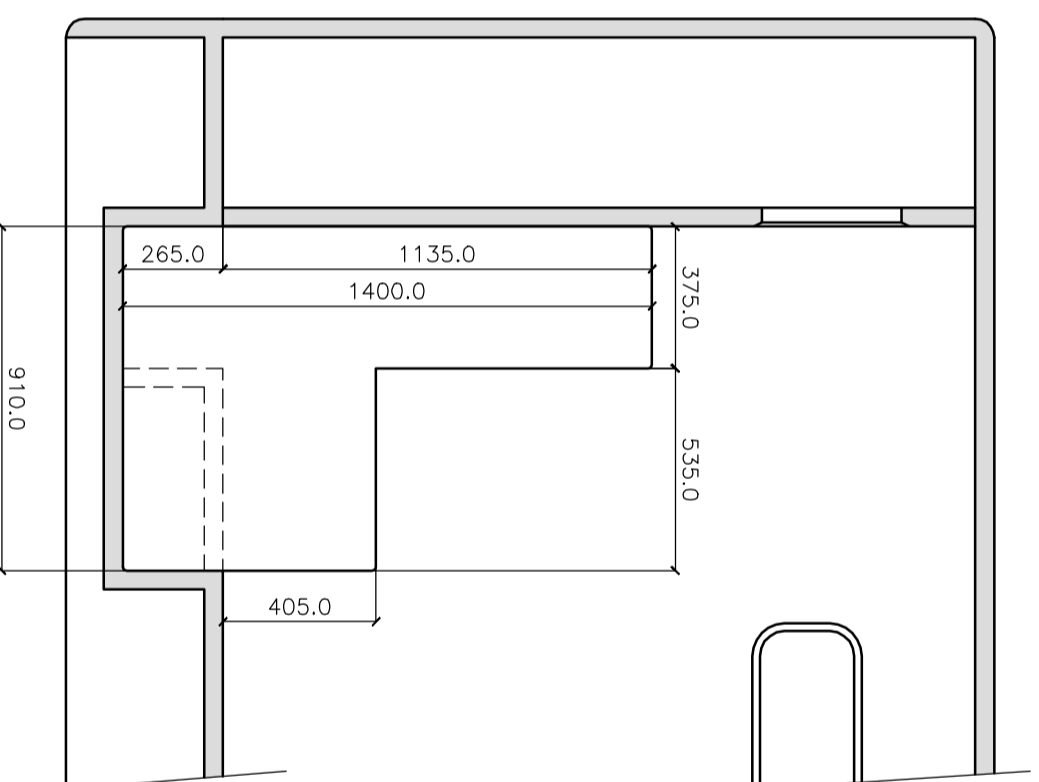
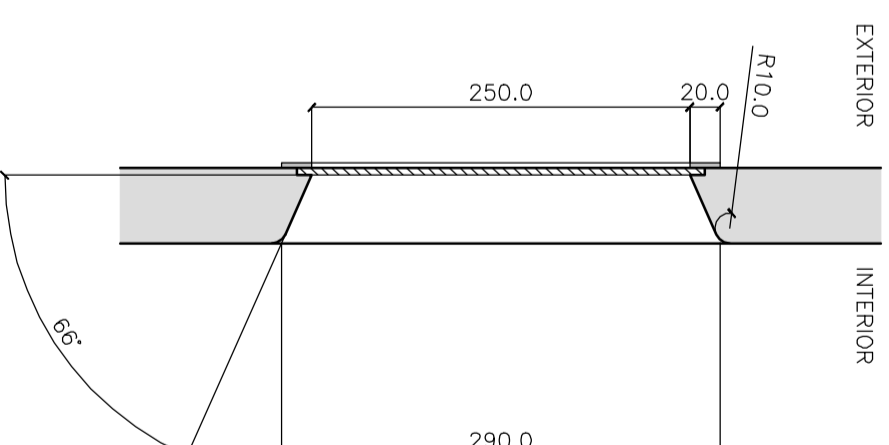


REAR DOOR POSITION TO
BE LEFT AS IS

08
GA-06
REAR WALL EXTERIOR
AMBULANCE BOX
SCALE 1:20



C
GA-06
WINDOW DETAIL
AMBULANCE BOX
SCALE 1:5



09
GA-06
PARAMEDIC BAG & O2 STORAGE
AMBULANCE BOX
SCALE 1:20

GENERAL NOTES

ALL MEASUREMENTS IN MM
EXTERNAL MEASUREMENTS
ASSUME A 50MM WALL
THICKNESS

No.	Revision/Issue	Date

Firm Name and Address

Redesigning The Ambulance

HELEN HAMLYN CENTRE
ROYAL COLLEGE OF ART
Kensington Gore
SW7 2EU
London, UK

Project	Sheet
Date 31.01.2011	GA-06 (6/6)
Scale INDICATED	